

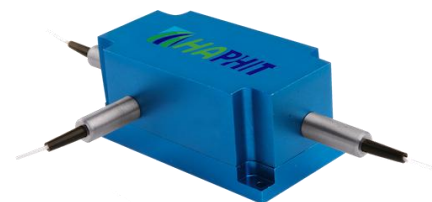
1103nm 3-port Optical Circulator for Pulse Power

FEATURES

- High Isolation
- Low Insertion Loss
- Epoxy-Free Optical Path
- High Reliability and Stability
- Low Profile Packaging

APPLICATIONS

- Fiber Optic Amplifiers
- Fiber Optic Instruments
- WDM Systems
- Dispersion Compensation
- Light Routing

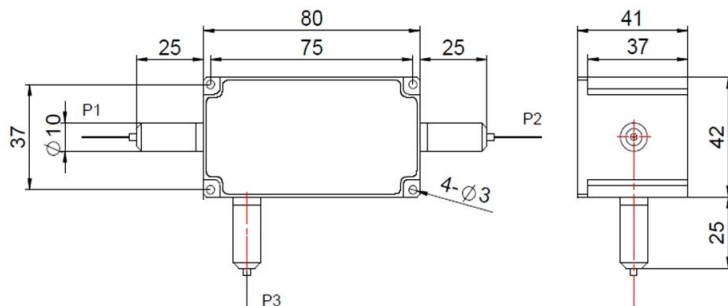


SPECIFICATIONS

Parameter	Unit	Value
Center Wavelength	nm	1103
Operating Wavelength Range	nm	+/-10
Insertion Loss@ 23 °C (1→2 or 2→3)	(Typ.)	0.8
	(Max.)	1.7
Isolation @ 23 °C (3→2 or 2→1)	(Typ.)	20
	(Min.)	18
Optical Return Loss	dB	≥45
Polarization Dependent Loss	dB	≤0.2
Fiber Type	-	HI1060 Fiber or 10/125um SC Fiber (E) 10/125um DC Fiber (O), 15/130um DC Fiber (W) 20/130um DC Fiber (Q) or 25/250um DC Fiber (R)
Fiber Tensile Load	N	5
Max. Average Optical Power	W	0.5, 1, 2, 3, 5, 10, 15, 20, 25, 30, 50, 80, 100
Max. Peak Power for pulse	kW	0.1, 1, 2, 3, 5, 10, 15, 20
Operating Temperature	°C	0~50
Storage Temperature	°C	-10~65

- Note:**
- Specifications are for device without connectors; Specifications may change without notice.
 - To add connectors, IL is 0.5dB higher, RL is 5dB lower.
 - Only guarantee 1W continuous wave (CW) power thru testing for connectors added.
 - Devices for higher optical power or with other type fiber or consigned fiber are also available; Devices can only work in the core of Double Cladding (DC) Fiber, Cladding Power must be stripped before connecting the device.
 - Package size may be different for different optical power and fiber types.

DIMENSION DRAWING



ORDERING INFORMATION (PN)

FCIR-	NNNN	-3H NN	P NN	- (NN)	- (C)	C	NN	- CC/CCC
Center Wavelength	Average Power	Peak Power	Average Power P2	Fiber Type	Fiber Sleeve	Fiber Length	Connector Type	
1103-1103nm	05=500mW	01=100W	1= 1W	E=10/125 SC Fiber	B= Bare fiber	05=0.5m	N=Without Connector	
	1=1W	1= 1kW	2= 2W	Q=20/130 DC Fiber	L= Loose Tube	10=1.0m	FC/APC=FC/APC Connector	
	5=5W	10= 10kW	5=5W	R=25/250 DC Fiber	2= 2mm Cable	15=1.5m	LC/PC=LC/PC Connector	
	20=20W	20=20kW	Blank for P2=P1	Blank for HI1060 Fiber	3= 3mm Cable	20=2.0m	SC/UPC=SC/UPC Connector	