

405nm Polarization Beam Combiner/Splitter (PBC/PBS)

FEATURES

- High Isolation
- Low Insertion Loss
- High Reliability and Stability
- Various Bandwidth
- High Optical Power

APPLICATIONS

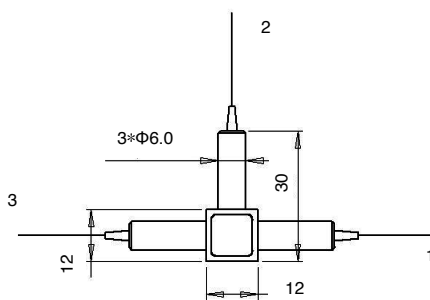
- Broadband Systems
- Optical Amplifying Systems
- Telecommunication Networks
- Research Labs
- Laser Systems

SPECIFICATIONS

Parameter	Unit	Value	
Center Wavelength	nm	405	
Bandwidth		+/-5	
Insertion Loss	(Typ.)	dB	1.8
	(Max.)	dB	2.2
Optical Return Loss	dB	≥45	
Extinction Ratio (For FPBS)	(Typ.)	dB	20
	(Min.)	dB	16
Fiber Type of Port 1 & Port 2	-	PM S405-XP Fiber	
Fiber Type of Port 3	S Type	-	S405-XP Fiber
	P Type	-	Same Fiber as Port 1, Slow axis align to Port 1
	Q Type	-	Same Fiber as Port 1, Slow axis is 45° to Port 1
Direction of Incident Polarization	-	Slow Axis	
Fiber Tensile Load	N	5	
Maximum Optical Power (CW)	mW	30	
Operating Temperature	°C	25~45	
Storage Temperature	°C	-20~70	

- Note:**
1. Specifications are for device without connectors; Specifications may change without notice.
 2. To add connectors, IL is 1.8dB higher, RL is 5dB lower, ER is 2dB Lower, Connector key is aligned to slow axis.
 3. Devices for higher optical power or with other type fiber or consigned fiber are also available.

PACKAGE DIMENSION



ORDERING INFORMATION (PN) FPBC=Polarization Beam Combiner; FPBS=Polarization Beam Splitter.

FPBC	NNN	-	C	N	C	NN	-	CC/CCC
FPBS								
	<i>Center Wavelength</i>		<i>3rd Port Fiber</i>	<i>Fiber Type</i>	<i>Fiber Sleeve</i>	<i>Fiber Length</i>		<i>Connector Type</i>
	405= 405nm		S=S Type	2=PM Panda Fiber	B= Bare fiber	05=0.5m		N=Without Connector
			P=P Type		L= Loose Tube	10=1.0m		FC/APC=FC/APC Connector
			Q=Q Type		2= 2mm Cable	15=1.5m		LC/PC=LC/PC Connector
					3= 3mm Cable	20=2.0m		SC/UPC=SC/UPC Connector