

750~810nm 4-port PM Optical Circulator for Pulse Power

FEATURES

- High Isolation
- Low Insertion Loss
- Epoxy-Free Optical Path
- High Reliability and Stability
- Low Profile Packaging

APPLICATIONS

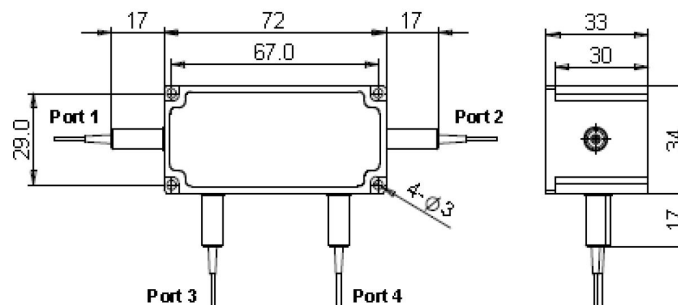
- Fiber Optic Amplifiers
- Fiber Optic Instruments
- WDM Systems
- Dispersion Compensation
- Light Routing

SPECIFICATIONS

Parameter	Unit	Value	
Working Wavelength	nm	750±10, 780±10, 793±10, 808±10	
Insertion Loss@23°C	(Typ.)	dB	1.0
	(Max.)	dB	1.8
Optical Path	C Type	-	1→2, 2→3, 3→4 (Loss:4→1 is Uncontrolled)
	D Type	-	1→2, 2→3, 3→4, 4→1
	E Type	-	1→2, 2→3, 3→4 (4→1 is Isolated)
Isolation@23°C	(Typ.)	dB	20
	(Min.)	dB	18
Extinction Ratio	dB	≥18	
Optical Return Loss	dB	≥45	
Cross Talk	dB	≥40	
Work Mode	S Type	-	Can only work in slow axis
	F Type	-	Can work both in Slow and Fast Axis
Fiber Type	-	PM850 Fiber or PM780-HP Fiber	
Fiber Tensile Load	N	5	
Maximum Total Average Power	W	0.3, 0.5, 1, 2, 3, 5, 10, 15, 20	
Max. Peak Power for Pulse	kW	0.1, 1, 2, 3, 5, 10, 15, 20	
Operating Temperature	°C	0~50	
Storage Temperature	°C	-20~75	

- Note:**
- Specifications are for device without connectors; Specifications may change without notice.
 - To add connectors, IL is 0.7dB higher, RL is 5dB lower, ER is 2dB Lower, Connector key is aligned to slow axis.
 - Only guarantee 1W continuous wave (CW) power thru testing for connectors added.
 - Devices for higher optical power or with other type fiber or consigned fiber are also available.
 - Package size may be different for different optical power, configuration and fiber types

PACKAGE DIMENSION



ORDERING INFORMATION (PN)

FPCR-NNN	-(C)	(C)	-4H NN	P NN	-(NN/NN)	-(NN)	- N	C	NN	-CC/CCC
Center Wavelength	Optical Path	Work Mode	Average Power[Total]	Peak Power	Average Power P2/P3	Average Power P4	Fiber Type	Fiber Sleeve	Fiber Length	Connector Type
750-750nm	D=D Type	F=F Type	03- 300mW	01- 100W	1- 1W	1- 1W	2-PM850 Fiber	B- Bare fiber	05-0.5m	N-Without Connector
780-780nm	E=E Type	Blank for S Type	1- 1 Watts	1- 1kW	2- 2W	2- 2W	7-PM780-HP Fiber	L- Loose Tube	10-1.0m	FC/APC=FC/APC Connector
790-790nm	Blank for C Type		3- 3 Watts	3-3kW	5-5W	5-5W		2-2mm Cable	15-1.5m	LC/PC=LC/PC Connector
808-808nm			10- 10 Watts	10- 10kW	Blank for P2/3=P1	Blank for None		3-3mm Cable	20-2.0m	SC/LPC=SC/LPC Connector

