

830-850nm 4-port PM Optical Circulator

FEATURES

- High Isolation
- Low Insertion Loss
- Epoxy-Free Optical Path
- High Reliability and Stability
- Low Profile Packaging

APPLICATIONS

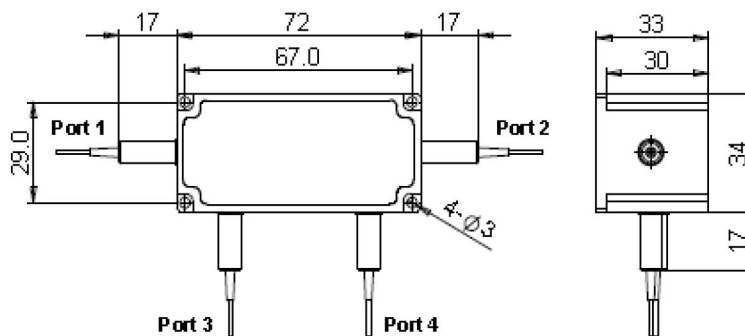
- Fiber Optic Amplifiers
- Fiber Optic Instruments
- WDM Systems
- Dispersion Compensation
- Light Routing

SPECIFICATIONS

Parameter		Unit	Value
Working Wavelength		nm	830+/-10, 850+/-10
Insertion Loss@23°C	(Typ.)	dB	1.5
	(Max.)	dB	1.8
Isolation@23°C	(Min.)	dB	18
Extinction Ratio		dB	≥18
Optical Return Loss		dB	≥50
Cross Talk		dB	≥45
Work Mode	S Type	-	Can only work in slow axis
	F Type	-	Can work both in Slow and Fast Axis
Fiber Type		-	PM850 Fiber or PM780-HP Fiber
Fiber Tensile Load		N	5
Maximum Optical Power (CW)		W	0.3, 0.5, 1, 2, 3, 5, 10, 15, 20
Operating Temperature		°C	0~50
Storage Temperature		°C	-40~85

- Note:**
1. Specifications are for device without connectors; Specifications may change without notice.
 2. To add connectors, IL is 0.7dB higher, RL is 5dB lower, ER is 2dB Lower, Connector key is aligned to slow axis.
 3. Only guarantee 1W continuous wave (CW) power thru testing for connectors added.
 4. Devices for higher optical power or with other type fiber or consigned fiber are also available.

PACKAGE DIMENSION



ORDERING INFORMATION (PN)

FPCR-	NNN	- (C)	4HP NN	- C	C	NN	- CC/CCC
<i>Center Wavelength</i>	<i>Work Mode</i>	<i>Optical Power</i>	<i>Fiber Type</i>	<i>Fiber Sleeve</i>	<i>Fiber Length</i>	<i>Connector Type</i>	
830-830nm	F=F Type	03= 300mW	2-PM850 Fiber	B= Bare fiber	05=0.5m	N=Without Connector	
850-850nm	Blank for S Type	1= 1 Watts	7-PM780-HP Fiber	L= Loose Tube	10=1.0m	FC/APC=FC/APC Connector	
		3= 3 Watts		2=2mm Cable	15=1.5m	LC/PC=LC/PC Connector	
		10= 10 Watts		3=3mm Cable	20=2.0m	SC/UPC=SC/UPC Connector	