

## 2000nm 2x2 High Power PBS/PBS

### FEATURES

- High Isolation
- Low Insertion Loss
- High Reliability and Stability
- Various Bandwidth
- High Optical Power

### APPLICATIONS

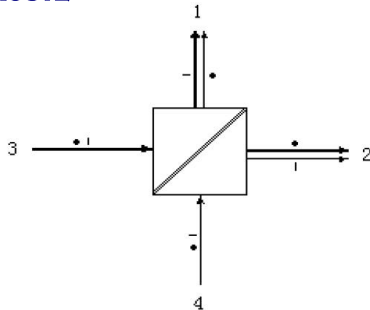
- Broadband Systems
- Optical Amplifying Systems
- Telecommunication Networks
- Research Labs
- Laser Systems

### SPECIFICATIONS

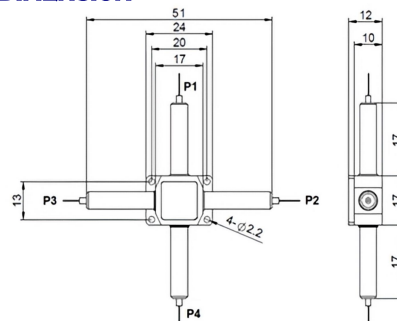
Parameter	Unit	Value
Center Wavelength	nm	1900, 1950, 2000, 2050
Bandwidth	nm	+/-20
Insertion Loss (Port 3 to Port 1/2 at Slow Axis, (Typ.)	dB	1.0
Port 4 to Port 1/2 at Fast Axis) (Max.)	dB	1.6
Optical Return Loss	dB	≥45
Extinction Ratio (for FPDS) (Typ.)	dB	22
(Min.)	dB	18
Fiber Type of Port 1 & Port 2	-	PM1550 Panda Fiber or PM1950 Fiber (V) 10/130um PMDC Fiber (O) or 25/400um PMDC Fiber (R)
Fiber Type of Port 3 & Port 4	S Type	-
	P Type	-
	Q Type	-
Fiber Tensile Load	N	5
Max. Optical Power (CW)	W	1, 2, 3, 5, 10, 15, 20
Operating Temperature	°C	0~50
Storage Temperature	°C	-40~85

- Note:**
- Specifications are for device without connectors; Specifications may change without notice.
  - To add connectors, IL is 0.3dB higher, RL is 5dB lower, ER is 2dB Lower, Connector key is aligned to slow axis.
  - Only guarantee 1W continuous wave (CW) power thru testing for connectors added.
  - Devices for higher optical power or with other type fiber or consigned fiber are also available; Devices can only work in the core of Double Cladding (DC) Fiber, Cladding Power must be stripped before connecting the device.
  - Package size may be different for different optical power and fiber type.

### LIGHT ROUTE



### PACKAGE DIMENSION



### ORDERING INFORMATION (PN) FPDC=Polarization Beam Combiner; FPDS=Polarization Beam Splitter.

FPDC / FPDS	NNNN	- C	C	- HP NN	- C	C	NN	-CC/CCC
	Center Wavelength	3rd Port Fiber	4th Port Fiber	Optical Power	Fiber Type	Fiber Sleeve	Fiber Length	Connector Type
	1900-1900nm	S-S Type	S-S Type	1-1W	2-PM1550Fiber	B- Bare fiber	05-0.5m	N=Without Connector
	1950-1950nm	P-P Type	P-P Type	5-5W	V-PM1950 Fiber	L- Loose Tube	10-1.0m	FC/APC=FC/APC Connector
	2000-2000nm	Q-Q Type	Q-Q Type	10-10W	O-10/130 PMDC Fiber	2- 2mm Cable	15-1.5m	LC/PC=LC/PC Connector
	2050-2050nm			20-20W	R-25/400 PMDC Fiber	3- 3mm Cable	20-2.0m	SC/UPC=SC/UPC Connector