

1600~1790nm Multimode High Power Manual VOA

FEATURES

- ▣ Low Excess Loss
- ▣ Various Attenuation
- ▣ Wide Passband
- ▣ High Stability and Reliability
- ▣ Epoxy Free Optical Path

APPLICATIONS

- ▣ Optical Amplifier
- ▣ Optical Networks
- ▣ Power Monitoring
- ▣ Fiber Sensor
- ▣ Labs

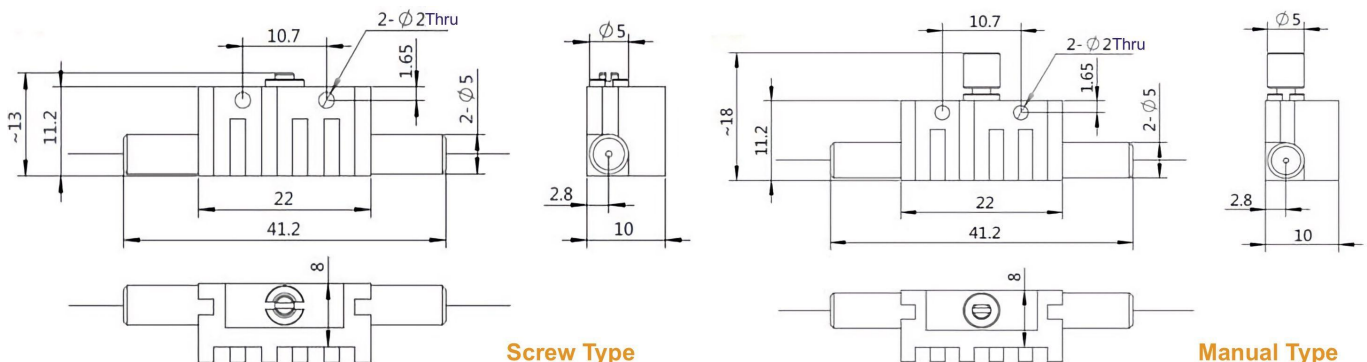


SPECIFICATIONS

Parameter	Unit	Value
Working Wavelength	nm	1625, 1650, 1700, 1750
Bandwidth	nm	+/-20
Max. Insertion Loss	dB	1.2
Attenuation Range	dB	0.8~30
Resolution (<10dB attenuation)	dB	≤0.4
Optical Return Loss	dB	≥30
Fiber Type	-	50/125um GIMM Fiber(5) or 62.5/125um GIMM Fiber(6) 50/125um GIMM OM3 Fiber(3) or 106.5/125um NA=0.22(J) 105/125um NA=0.12(D), NA=0.15(B) or NA=0.22(A)
Fiber Tensile Load	N	5
Max. Thru Optical Power (CW)	W	1, 2, 3, 5, 10
Max. Attenuated Optical Power (CW)	W	2
Operating Temperature	°C	0~50
Storage Temperature	°C	-40~85

- Note:**
1. Specifications are for device without connectors; Specifications may change without notice.
 2. To add connectors, IL is 0.3dB higher, RL is 10dB lower.
 3. Only guarantee 1W continuous wave (CW) power thru testing for connectors added.
 4. Specifications are tested at low order modes.
 5. Devices with other wavelength range are also available per request.
 6. Devices for higher optical power or with other type fiber or consigned fiber are also available.

PACKAGE DIMENSION



ORDERING INFORMATION (PN)

PMAM-NNNN	- (C)	HP	NN	- C	C	NN	-CC/CCC
Center Wavelength	Package	Optical Power	Fiber Type	Fiber Sleeve	Fiber Length	Connector Type	
1625~1625nm	M=Manual Type	1-1W	5- 50/125um MM Fiber	B= Bare fiber	05=0.5m	N=Without Connector	
1650~1650nm	Blank for Screw Type	2-2W	6- 62.5/125um MM Fiber	L= Loose Tube	10=1.0m	FC/APC=FC/APC Connector	
1700~1700nm		5-5W	A= 105/125um, NA=0.22	2= 2mm Cable	15=1.5m	LC/PC=LC/PC Connector	
1750~1750nm		10-10W	B=105/125um, NA=0.15	3= 3mm Cable	20=2.0m	SC/UPC=SC/UPC Connector	