

1610~1790nm PM Manual Adjustable Optical Attenuator

FEATURES

- Low Excess Loss
- Various Splitting Ratio
- Wide Passband
- High Stability and Reliability
- Epoxy Free Optical Path

APPLICATIONS

- Optical Amplifier
- Optical Networks
- Power Monitoring
- Fiber Sensor
- Labs



SPECIFICATIONS

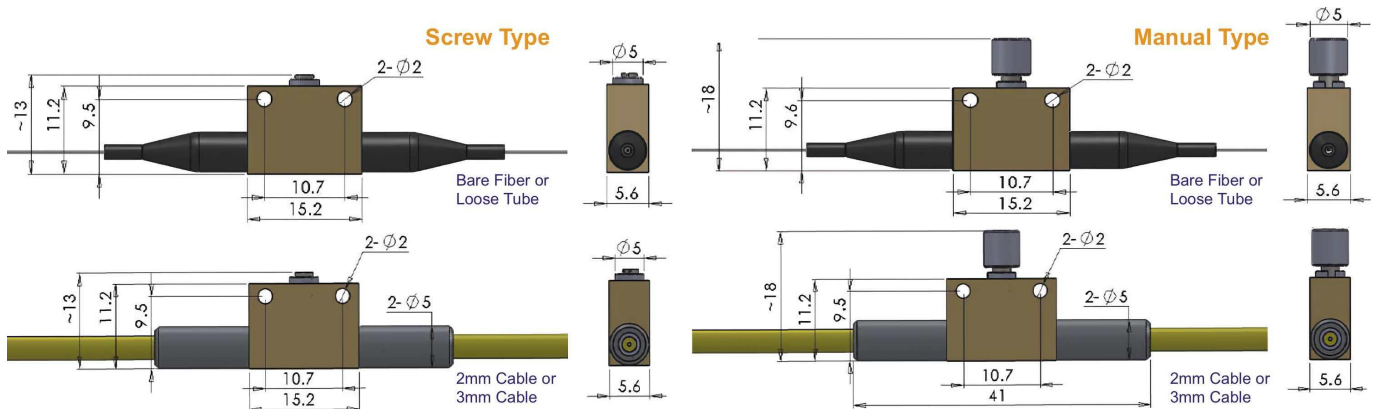
Parameter	Unit	Value
Center Wavelength	nm	1625, 1650, 1700, 1750
Bandwidth	nm	+/-20
Attenuation Range	dB	1.0~30
Resolution (<10dB attenuation)	dB	0.2
ER (at lowest attenuation)	dB	≥20
Optical Return Loss	dB	≥45
Fiber Type	-	PM1550 Panda Fiber, 10/125um PMDC Fiber (O), 12/130um PMDC Fiber (T), 20/130um PMDC Fiber (Q) 25/250um PMDC Fiber (R), 25/300um PMDC Fiber (G)
Fiber Tensile Load	N	5
Max. Optical Power (CW)	mW	300
Operating Temperature	°C	0~50
Storage Temperature	°C	-40~85

Note: 1. Specifications are for device without connectors; Specifications may change without notice.

2. To add connectors, IL is 0.3dB higher, RL is 5dB lower, ER is 2dB Lower, Connector key is aligned to slow axis.

3. Devices for higher optical power or with other type fiber or consigned fiber are also available; Devices can only work in the core of Double Cladding (DC) Fiber, Cladding Power must be stripped before connecting the device.

PACKAGE DIMENSION



ORDERING INFORMATION (PN)

PMAP-NNNN	-	(C)	C	C	NN	-	CC/CCC
<i>Center Wavelength</i>		<i>Package</i>	<i>Fiber Type</i>	<i>Fiber Sleeve</i>	<i>Fiber Length</i>		<i>Connector Type</i>
1625~1625nm		M=Manual Type	2=PM1550 Fiber	B= Bare fiber	05=0.5m		N=Without Connector
1650~1650nm		Blank for Screw Type	O=10/125 PMDC Fiber	L= Loose Tube	10=1.0m		FC/APC=FC/APC Connector
1700~1700nm			T=12/130 PMDC Fiber	2= 2mm Cable	15=1.5m		LC/PC=LC/PC Connector
1750~1750nm			R=25/250 PMDC Fiber	3= 3mm Cable	20=2.0m		SC/UPC=SC/UPC Connector