

## 980~1150nm High Power PM Manual VOA

### FEATURES

- Low Excess Loss
- Various Attenuation
- Wide Passband
- High Stability and Reliability
- Epoxy Free Optical Path

### APPLICATIONS

- Optical Amplifier
- Optical Networks
- Power Monitoring
- Fiber Sensor
- Labs

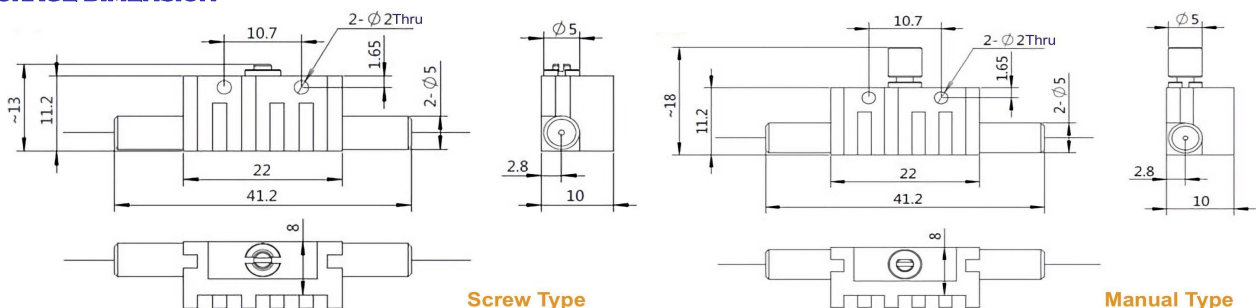


### SPECIFICATIONS

Parameter	Unit	Value	
Center Wavelength	nm	975, 980, 990, 1000 1020, 1030, 1040, 1053 1064, 1070, 1080	1092, 1103, 1120, 1150
Bandwidth	nm	+/-20	+/-10
Max. Insertion Loss	dB	0.8	1.0
Attenuation Range	dB	0.6~30	
Resolution (<10dB attenuation)	dB	0.1	
ER (at lowest attenuation)	dB	≥18	
Optical Return Loss	dB	≥45	
Fiber Type	-	PM980 Fiber, PM1060L Fiber (E) or PM1060L-FA Fiber (L) 10/125um PMDC Fiber (O), 15/130um PMDC Fiber (W) 20/130um PMDC Fiber (Q) or 25/250um PMDC Fiber (R)	
Fiber Tensile Load	N	5	
Max. Thru Optical Power (CW)	W	1, 2, 3, 5, 10	
Max. Attenuated Optical Power (CW)	W	2	
Operating Temperature	°C	0~50	
Storage Temperature	°C	-40~85	

- Note:**
- Specifications are for device without connectors; Specifications may change without notice.
  - To add connectors, IL is 0.5dB higher, RL is 5dB lower, ER is 2dB Lower, Connector key is aligned to slow axis.
  - Only guarantee 1W continuous wave (CW) power thru testing for connectors added.
  - Devices for higher optical power or with other type fiber or consigned fiber are also available; Devices can only work in the core of Double Cladding (DC) Fiber, Cladding Power must be stripped before connecting the device.

### PACKAGE DIMENSION



### ORDERING INFORMATION (PN)

Center Wavelength	Package	Optical Power	Fiber Type	Fiber Sleeve	Fiber Length	Connector Type
980-980nm	M-Manual Type	1-1W	2-PM980Fiber	B- Bare fiber	05-0.5m	N-Without Connector
1030-1030nm	Blank for Screw Type	2-2W	E-PM1060L Fiber	L- Loose Tube	10-1.0m	FC/APC-FC/APC Connector
1064-1064nm		5-5W	Q-20/130 PMDC Fiber	2- 2mm Cable	15-1.5m	LC/PC-LC/PC Connector
1120-1120nm		10-10W	R-25/250 PMDC Fiber	3- 3mm Cable	20-2.0m	SC/UPC-SC/UPC Connector