

## PM Manual Adjustable Optical Attenuator

### FEATURES

- Low Excess Loss
- Various Splitting Ratio
- Wide Passband
- High Stability and Reliability
- Epoxy Free Optical Path

### APPLICATIONS

- Optical Amplifier
- Optical Networks
- Power Monitoring
- Fiber Sensor
- Labs



### SPECIFICATIONS

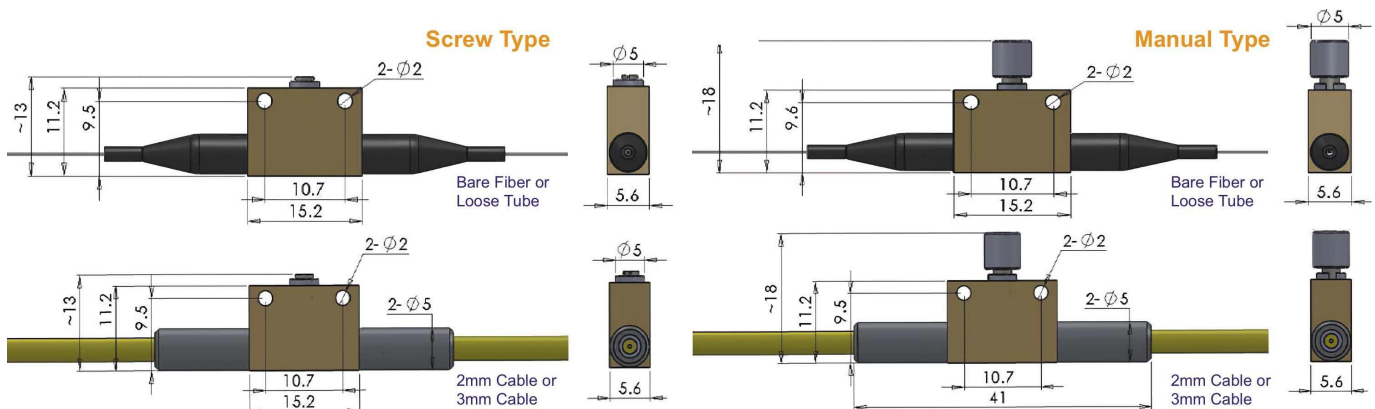
Parameter	Unit	Value
Center Wavelength	nm	1310, 1480, 1550, 1590
Bandwidth	nm	+/-20
Max. Insertion Loss	dB	0.8
Attenuation Range	dB	0.6~30
Resolution (<10dB attenuation)	dB	0.1
ER (at lowest attenuation)	dB	≥20
Optical Return Loss	dB	≥45
Fiber Type	-	PM1310/1550 Panda Fiber, 10/125um PMDC Fiber (O), 12/130um PMDC Fiber (T), 20/130um PMDC Fiber (Q) 25/250um PMDC Fiber (R), 25/300um PMDC Fiber (G)
Fiber Tensile Load	N	5
Max. Optical Power (CW)	mW	300
Operating Temperature	°C	0~70
Storage Temperature	°C	-40~85

**Note:** 1. Specifications are for device without connectors; Specifications may change without notice.

2. To add connectors, IL is 0.3dB higher, RL is 5dB lower, ER is 2dB Lower, Connector key is aligned to slow axis.

3. Devices for higher optical power or with other type fiber or consigned fiber are also available; Devices can only work in the core of Double Cladding (DC) Fiber, Cladding Power must be stripped before connecting the device.

### PACKAGE DIMENSION



### ORDERING INFORMATION (PN)

<b>PMAP-NNNN</b>	-	<b>(C)</b>	<b>C</b>	<b>C</b>	<b>NN</b>	-	<b>CC/CCC</b>
<i>Center Wavelength</i>		<i>Package</i>	<i>Fiber Type</i>	<i>Fiber Sleeve</i>	<i>Fiber Length</i>		<i>Connector Type</i>
1310-1310nm		M=Manual Type	2=PM1310/1550 Fiber	B= Bare fiber	05=0.5m		N=Without Connector
1480-1480nm		Blank for Screw Type	0=10/125 PMDC Fiber	L= Loose Tube	10=1.0m		FC/APC=FC/APC Connector
1550-1550nm			T=12/130 PMDC Fiber	2= 2mm Cable	15=1.5m		LC/PC=LC/PC Connector
1590-1590nm			R=25/250 PMDC Fiber	3= 3mm Cable	20=2.0m		SC/UPC=SC/UPC Connector

